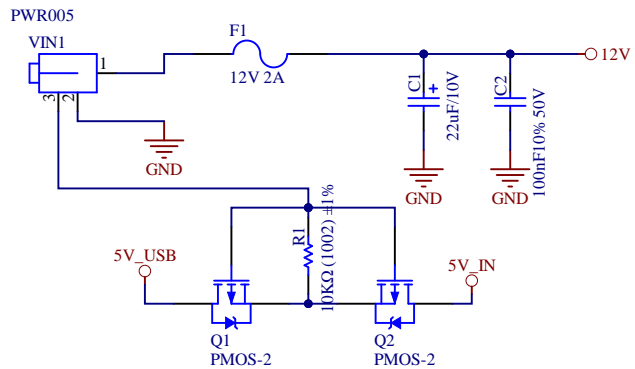
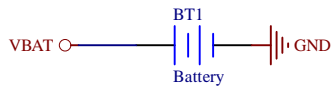


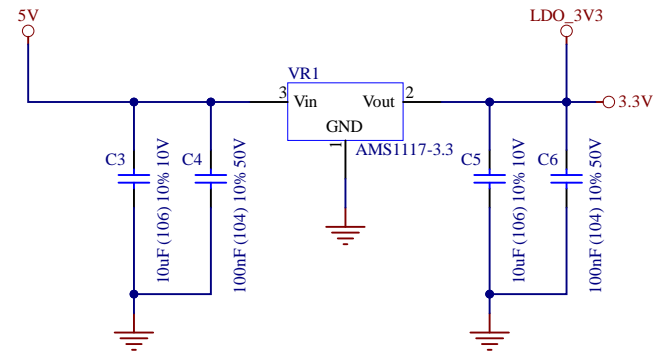
DC IN 12V



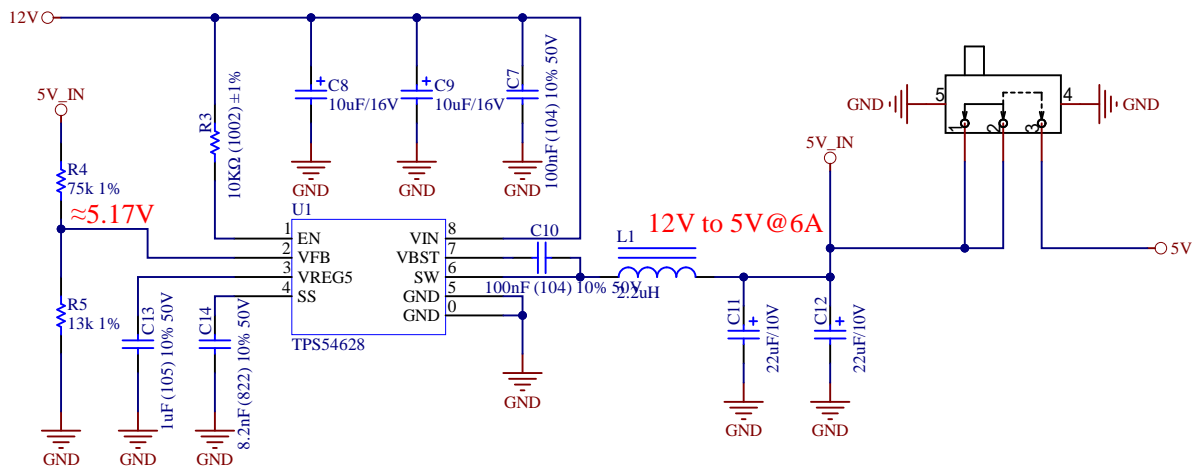
RTC 电池



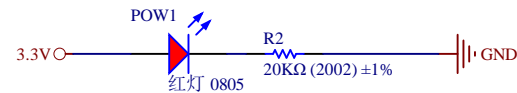
LDO 3.3V



DCDC 5V



电源指示灯



Title: P1_POWER.SchDoc

Name: *

Revision: ***

Drawn by: ***

Date: 2024/8/21

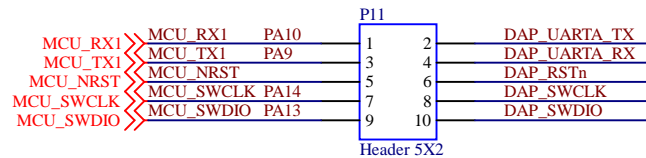
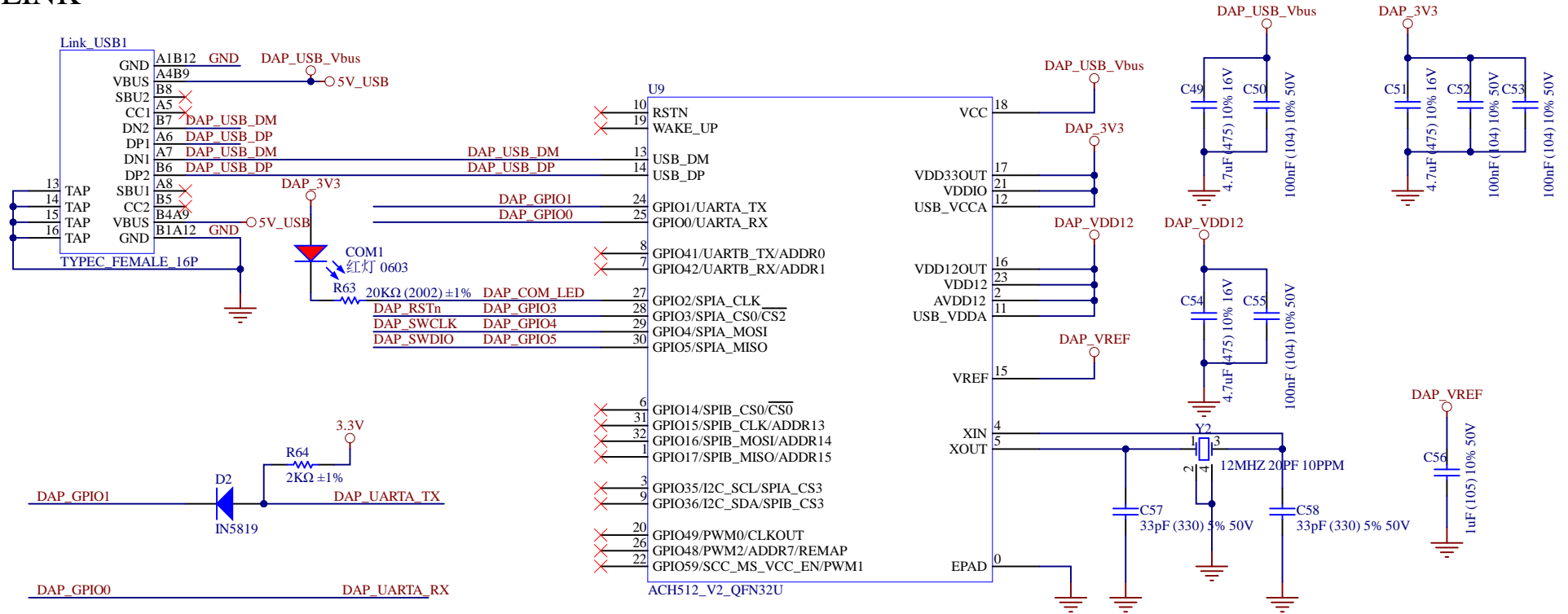
Checked by: ***

Size: A4


Approved by: ***

Sheet: *

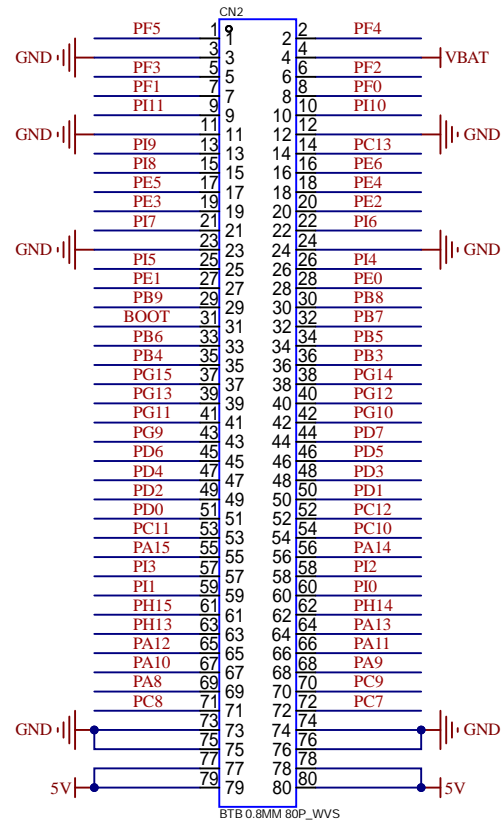
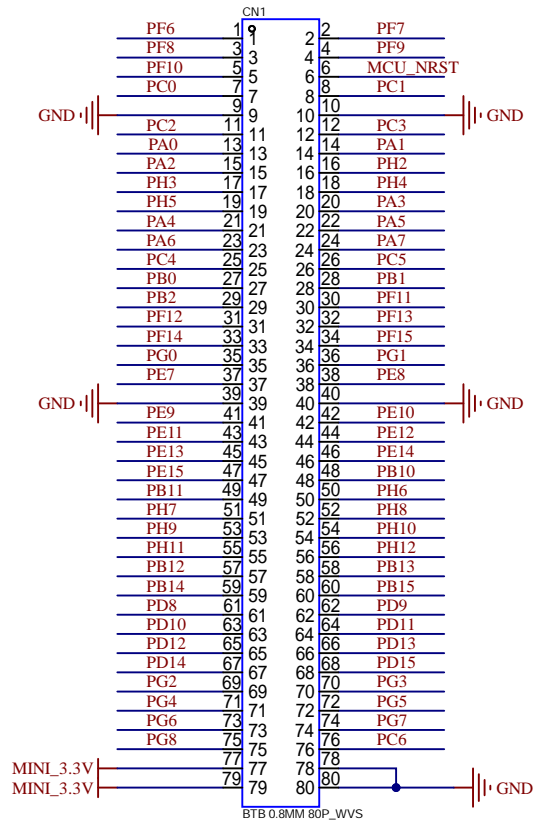
DAP LINK




SWD调试

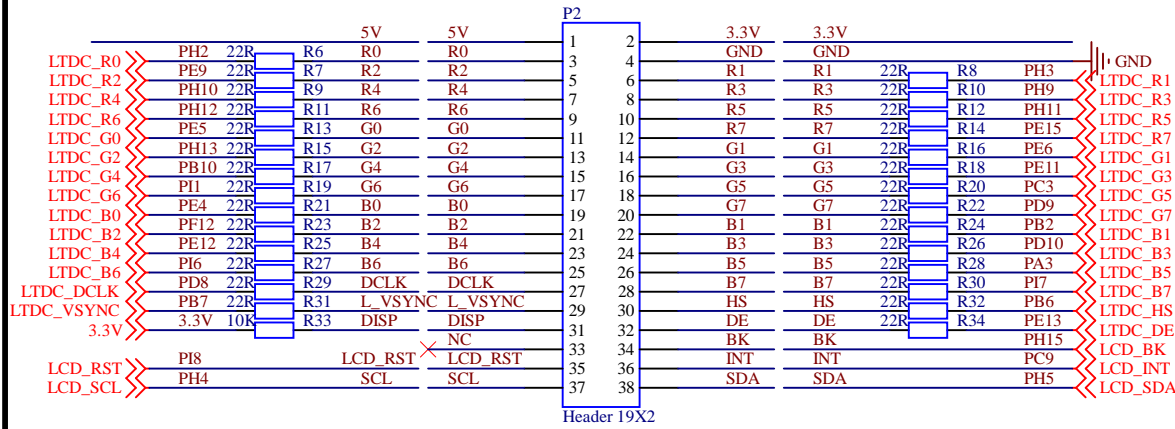
	Title: P2_DAPLink.SchDoc
	Name: *
Drawn by: ***	Revision: ***
Checked by: ***	Date: 2024/8/21
Approved by: ***	Size: A4
	Sheet: *

子板座子

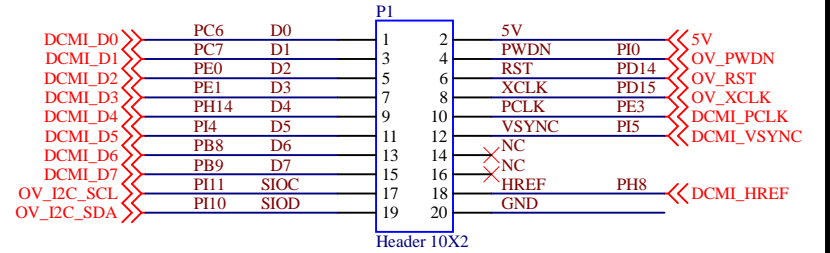


	Title: P3_connector.SchDoc
	Name: *
Drawn by: ***	Revision: ***
Checked by: ***	Date: 2024/8/21
Approved by: ***	Size: A4
	Sheet: *

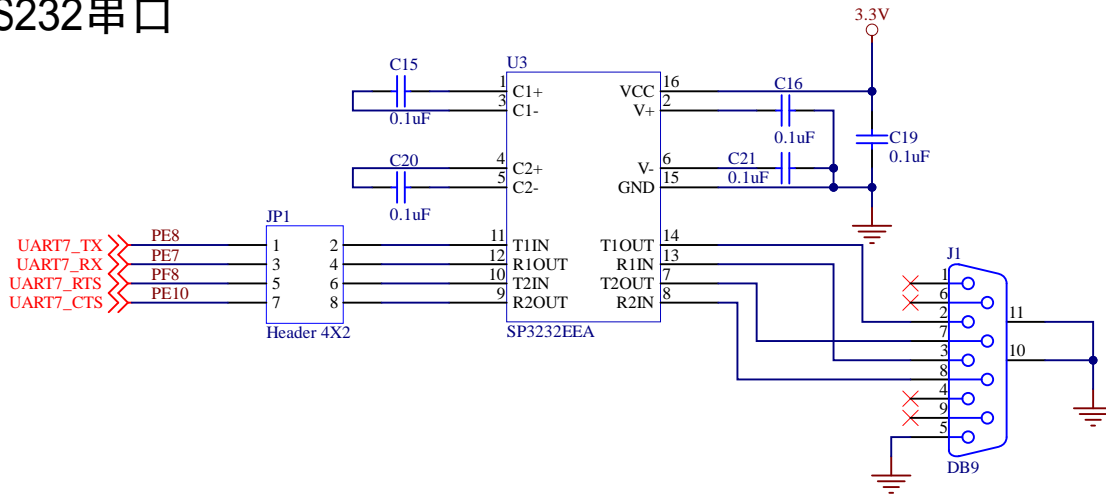
LCD-RGB888屏 LTDC



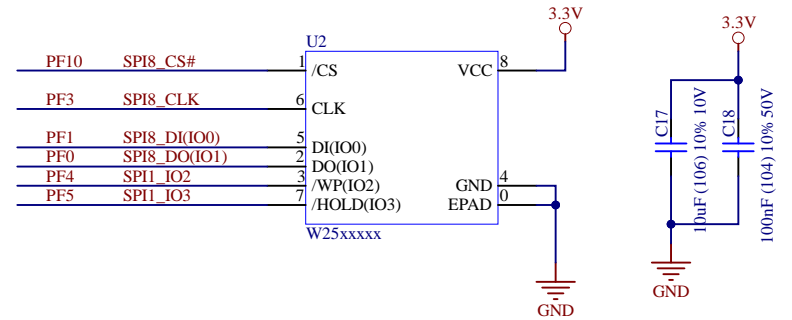
DCMI OV2640摄像头



RS232串口



SPI8 FLASH_SPI8



Title: P4_LTDC-DCMI-RS232-SPI8

Name: *

Revision: ***

Drawn by: ***

Date: 2024/8/21

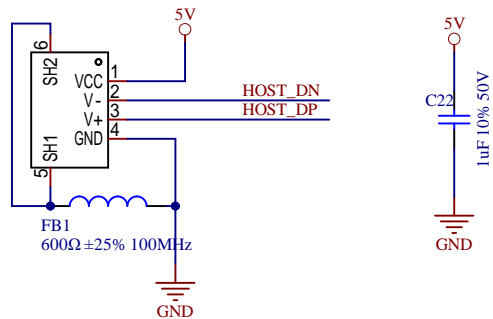
Checked by: ***

Size: A4

Approved by: ***

Sheet: *

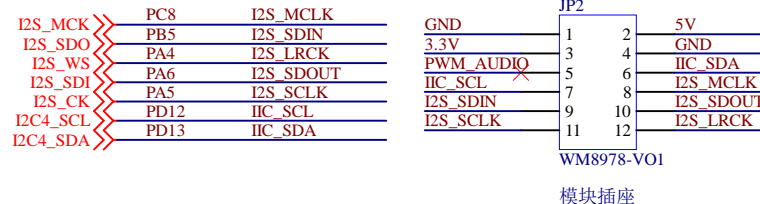
USB HOST



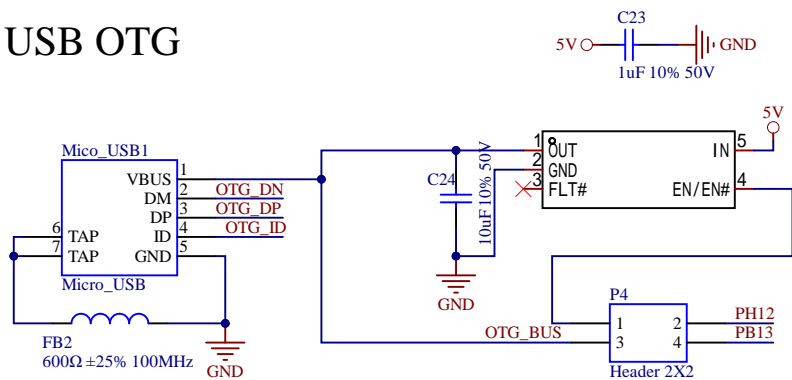
OTG_HS_DN	>>	OTG_DN	HOST_DN	PB14
OTG_HS_DP	>>	OTG_DP	HOST_DP	PB15
OTG_HS_ID	>>	OTG_ID		PB12

语音模块

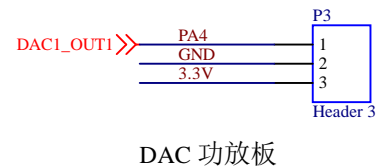
I2S1



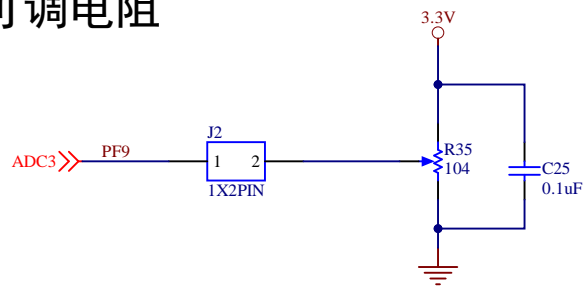
USB OTG



DAC

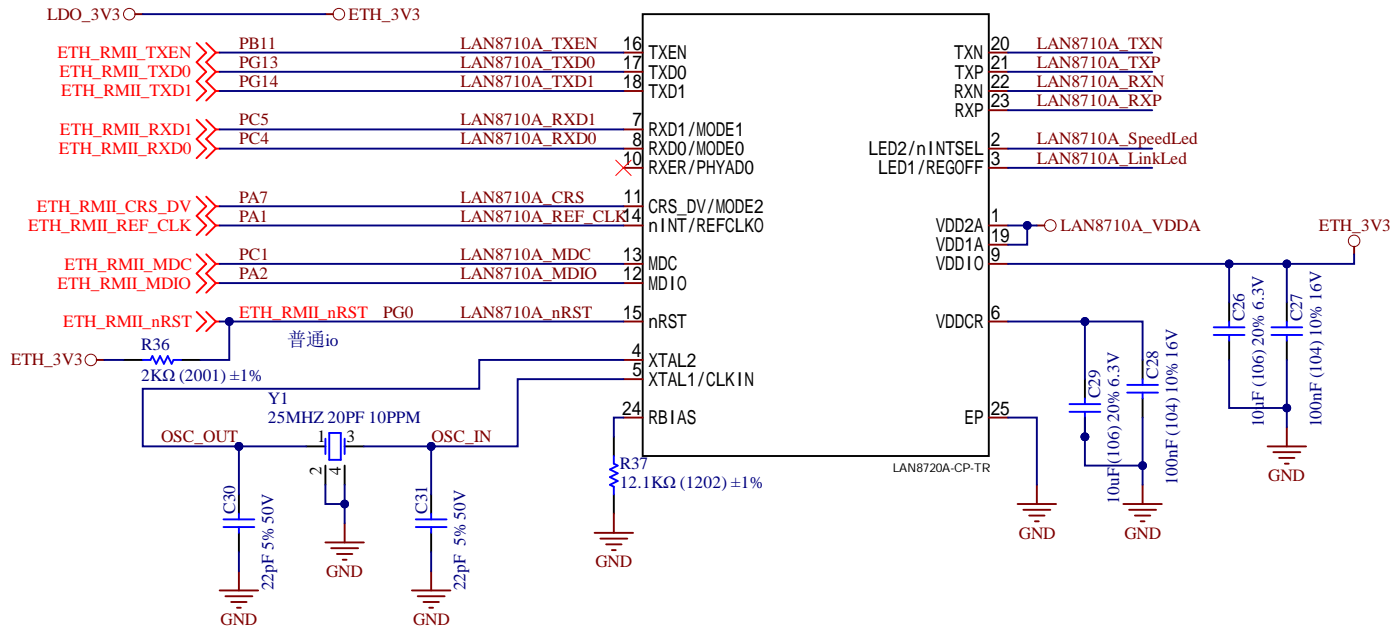


可调电阻



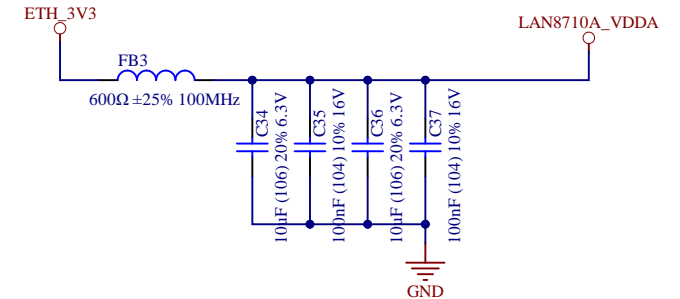
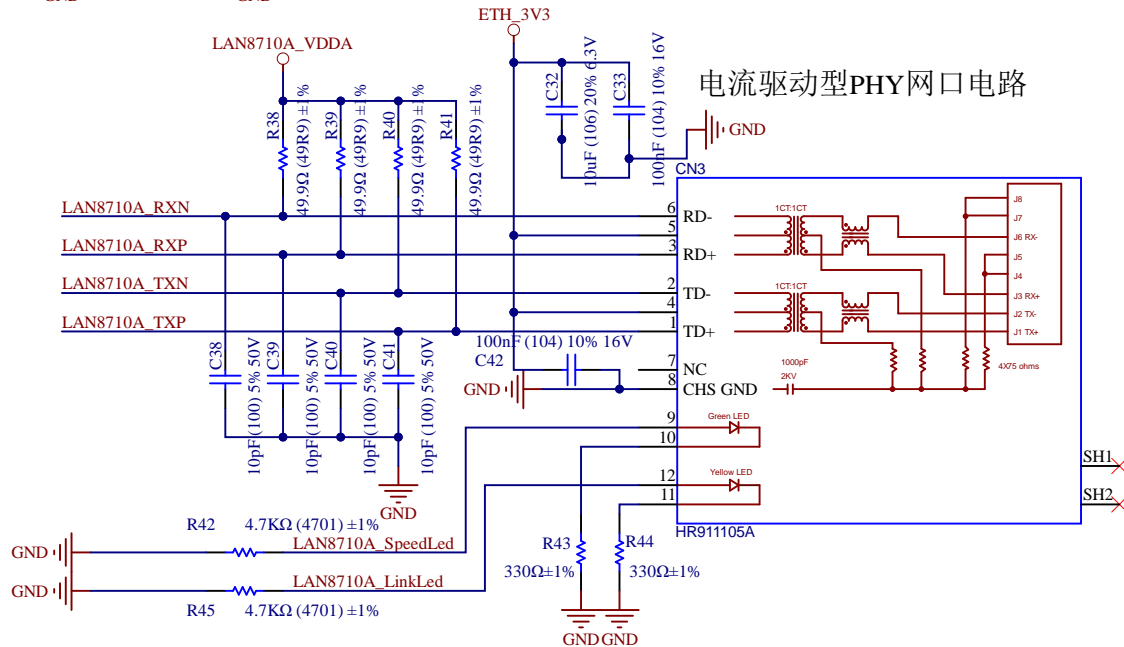
Title: P5_USB-I2S-ADC-DAC.Sch
Name: *
Revision: ***
Drawn by: ***
Date: 2024/8/21
Checked by: ***
Size: A4
Approved by: ***
Sheet: *


以太网接口



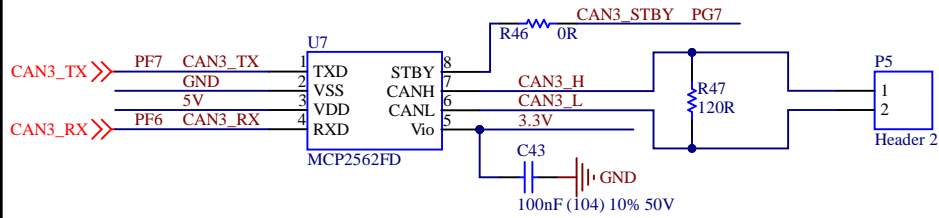
PCB Design Layout Note

- 1) PHY的电源电容靠近PHY放置;
- 2) 晶振靠近PHY放置, 线长度尽量相等;
- 3) RBIAS 电阻尽量靠近PHY放置, 内部偏压电阻;
- 4) MDI线尽量短, 阻抗应为100欧姆差分, 控制范围为 $\pm 10\%$, 长度小于2inches(50.8mm), 同一层地平面应与MDI保持3倍以上的线宽距离, 首选5倍, 防止不必要的电容阻抗。MDI线下层有完整连续的地;
- 5) MII线, 单端阻抗应为50欧姆 $\pm 10\%$, 长度小于6inches, 保持RX和TX线长度一样。同一层地平面应与MII保持3倍以上的线宽距离, 首选5倍。MII线下层有完整连续的地。
- 6) 补线长度时, 布线位置靠近长度差异的一边;
- 7) 放置信号过孔时, 建议将接地或返回过孔放在附近, 以提供耦合信号的短路;
- 8) 带磁滤波的RJ45, 座子下面减少覆铜;
- 9) 如果信号线上加ESD, 注意ESD的寄生电容和保护电压。

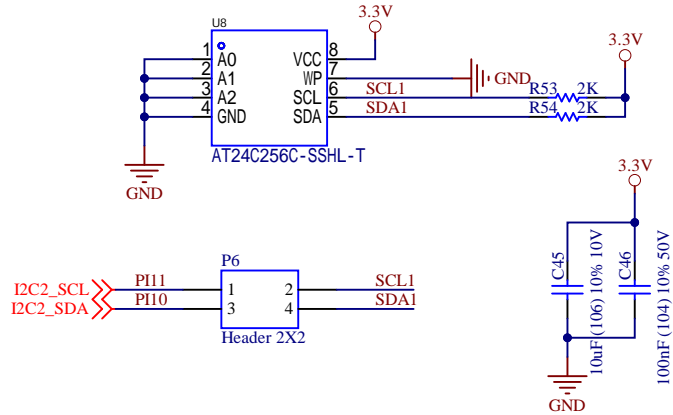


	Title: P6_COM_Ethernet.Sch Doc
	Name: *
Drawn by: ***	Revision: ***
Checked by: ***	Date: 2024/8/21
Approved by: ***	Size: A4
	Sheet: *

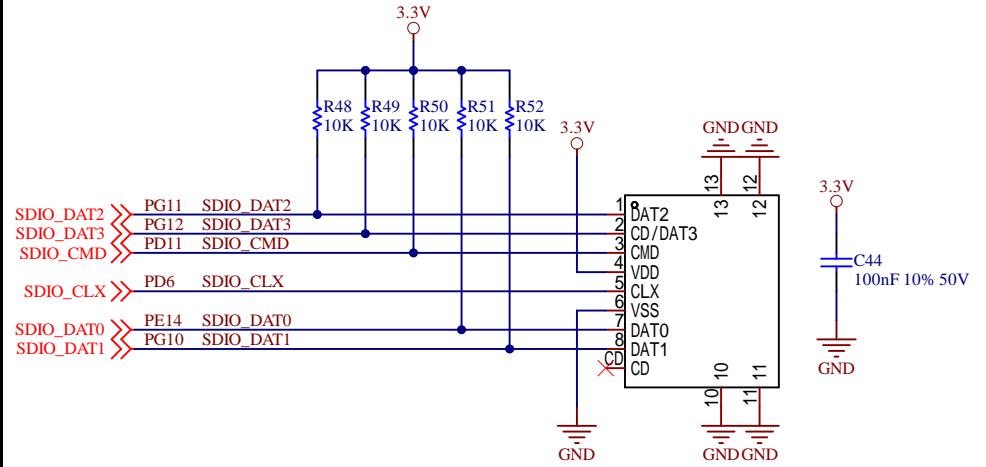
FDCANX3




EEPROM I2C

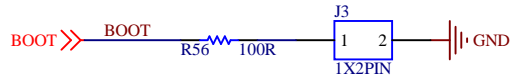


TF 卡

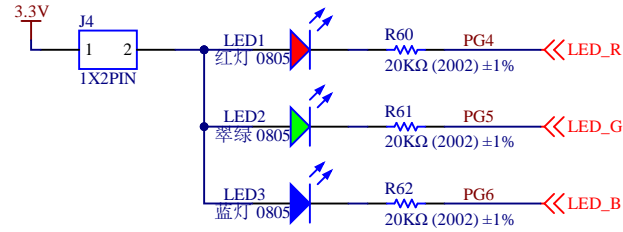


	Title: P7_CAN-I2C-SDIO.SchDoc
	Name: *
Drawn by: ***	Revision: ***
Checked by: ***	Date: 2024/8/21
Approved by: ***	Size: A4
	Sheet: *

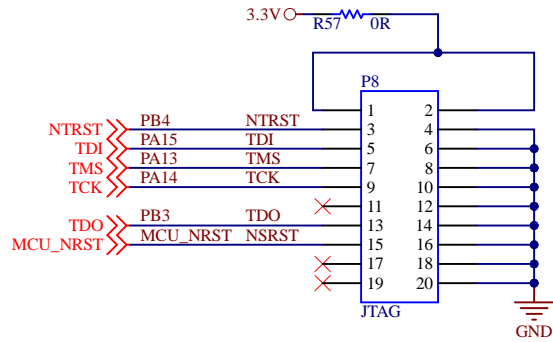
BOOT



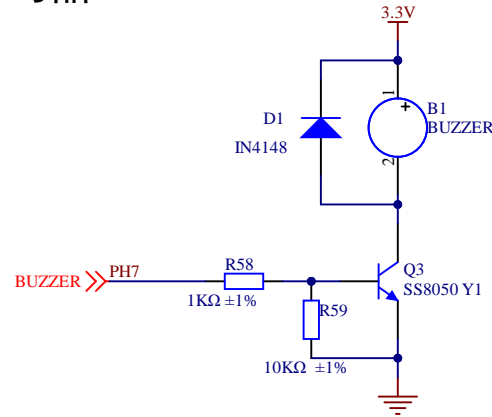
LED灯



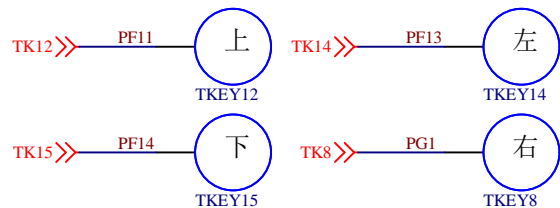
JTAG调试



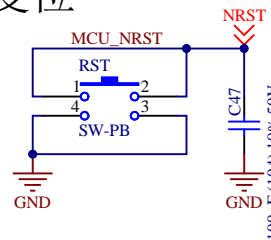
蜂鸣器



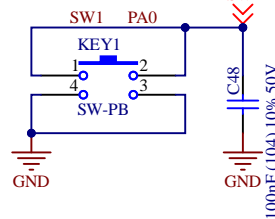
按键



复位



SW1



Title: P8_TK-LED.SchDoc

Name: *

Revision: ***

Drawn by: ***

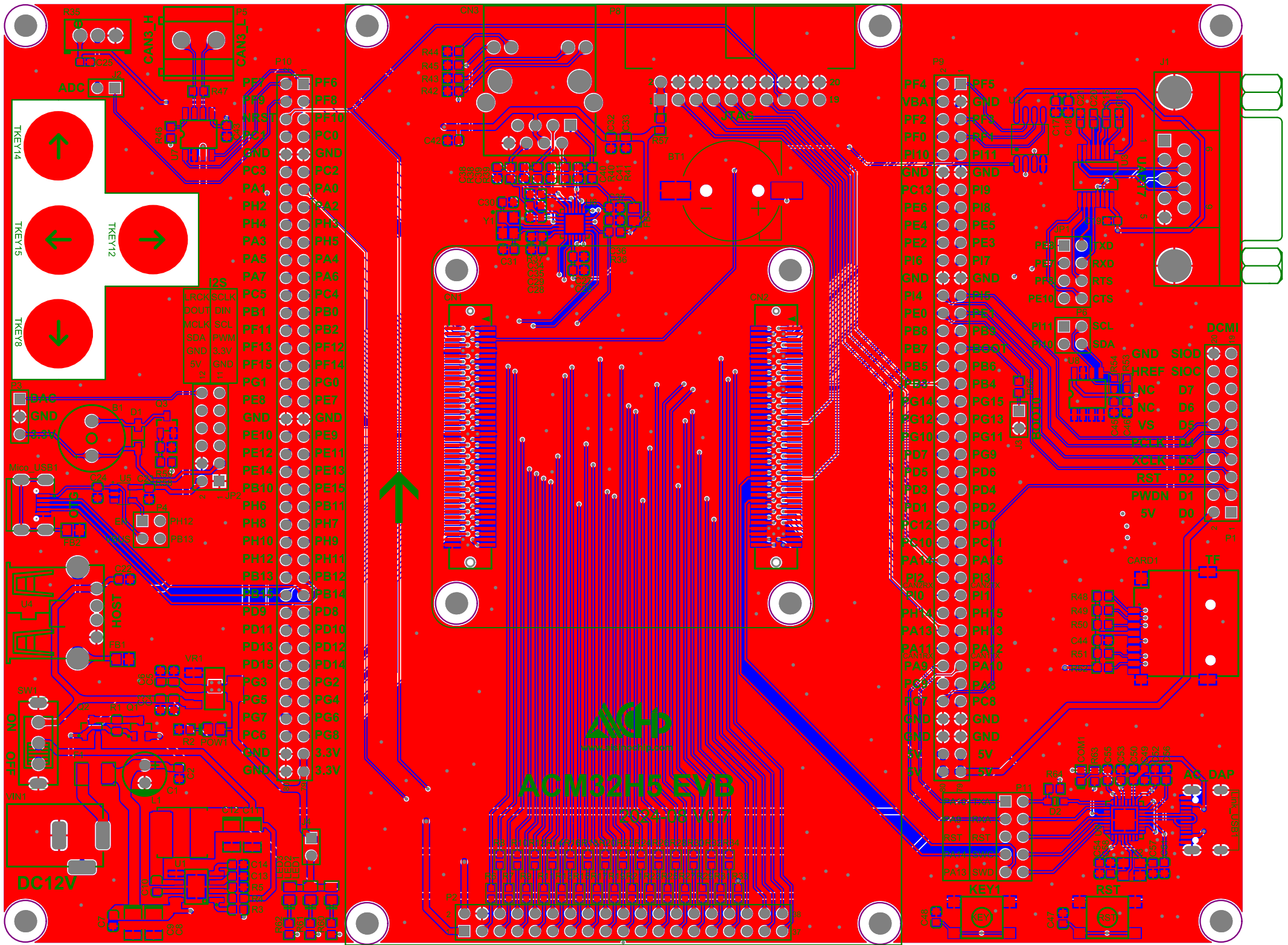
Date: 2024/8/21

Checked by: ***

Size: A4

Approved by: ***

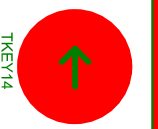
Sheet: *



ACM32H5 EVB
ACM32H5 EVB

ACM32H5 EVB
ACM32H5 EVB

DC12V



LRCLK	SCLK
DOUT	DIN
MCLK	SCL
SDA	PWM
GND	3.3V
5V	GND
I2	I1

DAC

Mico_USB1

ALFA

SW1
ON OFF

VIN1

DC12V

LRCLK	SCLK
DOUT	DIN
MCLK <th>SCL</th>	SCL
SDA	PWM
GND	3.3V
5V	GND
I2	I1

DAC

Mico_USB1

ALFA

SW1
ON OFF

VIN1

DC12V

LRCLK	SCLK
DOUT	DIN
MCLK <th>SCL</th>	SCL
SDA	PWM
GND	3.3V
5V	GND
I2	I1

DAC

Mico_USB1

ALFA

SW1
ON OFF

VIN1

DC12V

LRCLK	SCLK
DOUT	DIN
MCLK <th>SCL</th>	SCL
SDA	PWM
GND	3.3V
5V	GND
I2	I1

DAC

Mico_USB1

ALFA

SW1
ON OFF

VIN1

DC12V

LRCLK	SCLK
DOUT	DIN
MCLK <th>SCL</th>	SCL
SDA	PWM
GND	3.3V
5V	GND
I2	I1

DAC

Mico_USB1

ALFA

SW1
ON OFF

VIN1

DC12V

LRCLK	SCLK
DOUT	DIN
MCLK <th>SCL</th>	SCL
SDA	PWM
GND	3.3V
5V	GND
I2	I1

DAC

Mico_USB1

ALFA

SW1
ON OFF

VIN1

DC12V

LRCLK	SCLK
DOUT	DIN
MCLK <th>SCL</th>	SCL
SDA	PWM
GND	3.3V
5V	GND
I2	I1

DAC

Mico_USB1

ALFA

SW1
ON OFF

VIN1

DC12V

LRCLK	SCLK
DOUT	DIN
MCLK <th>SCL</th>	SCL
SDA	PWM
GND	3.3V
5V	GND
I2	I1

DAC

Mico_USB1

ALFA

SW1
ON OFF

VIN1

DC12V

LRCLK	SCLK
DOUT	DIN
MCLK <th>SCL</th>	SCL
SDA	PWM
GND	3.3V
5V	GND
I2	I1

DAC

Mico_USB1

ALFA

SW1
ON OFF

VIN1

DC12V

LRCLK	SCLK
DOUT	DIN
MCLK <th>SCL</th>	SCL
SDA	PWM
GND	3.3V
5V	GND
I2	I1

DAC

Mico_USB1

ALFA

SW1
ON OFF

VIN1

DC12V

LRCLK	SCLK
DOUT	DIN
MCLK <th>SCL</th>	SCL
SDA	PWM
GND	3.3V
5V	GND
I2	I1

DAC

Mico_USB1

ALFA

SW1
ON OFF

VIN1

DC12V

LRCLK	SCLK
DOUT	DIN
MCLK <th>SCL</th>	SCL
SDA	PWM
GND	3.3V
5V	GND
I2	I1

DAC

Mico_USB1

ALFA

SW1
ON OFF

VIN1

DC12V

LRCLK	SCLK
DOUT	DIN
MCLK <th>SCL</th>	SCL
SDA	PWM
GND	3.3V
5V	GND
I2	I1

DAC

Mico_USB1

ALFA

SW1
ON OFF

VIN1

DC12V

LRCLK	SCLK
DOUT	DIN
MCLK <th>SCL</th>	SCL
SDA	PWM
GND	3.3V
5V	GND
I2	I1

DAC

Mico_USB1

ALFA

SW1
ON OFF

VIN1

DC12V

LRCLK	SCLK
DOUT	DIN
MCLK <th>SCL</th>	SCL
SDA	PWM
GND	3.3V
5V	GND
I2	I1

DAC

Mico_USB1

ALFA

SW1
ON OFF

VIN1

DC12V

LRCLK	SCLK
DOUT	DIN
MCLK <th>SCL</th>	SCL
SDA	PWM
GND	3.3V
5V	GND
I2	I1

DAC

Mico_USB1

ALFA

SW1
ON OFF

VIN1

DC12V

LRCLK	SCLK
DOUT	DIN
MCLK <th>SCL</th>	SCL
SDA	PWM
GND	3.3V
5V	GND
I2	I1

DAC

Mico_USB1

ALFA

SW1
ON OFF

VIN1

DC12V

LRCLK	SCLK
DOUT	DIN
MCLK <th>SCL</th>	SCL
SDA	PWM
GND	3.3V
5V	GND
I2	I1

DAC

Mico_USB1

ALFA

SW1
ON OFF

VIN1

DC12V

LRCLK	SCLK
DOUT	DIN
MCLK <th>SCL</th>	SCL
SDA	PWM
GND	3.3V
5V	GND
I2	I1

DAC

Mico_USB1

ALFA

SW1
ON OFF

VIN1

DC12V

LRCLK	SCLK
DOUT	DIN
MCLK <th>SCL</th>	SCL
SDA	PWM
GND	3.3V
5V	GND
I2	I1

DAC

Mico_USB1

ALFA

SW1
ON OFF

VIN1

DC12V

LRCLK	SCLK
DOUT	DIN
MCLK <th>SCL</th>	SCL
SDA	PWM
GND	3.3V
5V	GND
I2	I1

DAC

Mico_USB1

ALFA

SW1
ON OFF

VIN1

DC12V

LRCLK	SCLK
DOUT	DIN
MCLK <th>SCL</th>	SCL
SDA	PWM
GND	3.3V
5V	GND
I2	I1

DAC

Mico_USB1

ALFA

SW1
ON OFF

VIN1

DC12V

LRCLK	SCLK
DOUT	DIN
MCLK <th>SCL</th>	SCL
SDA	PWM
GND	3.3V
5V	GND
I2	I1

DAC

Mico_USB1

ALFA

SW1
ON OFF

VIN1

DC12V

LRCLK	SCLK
DOUT	DIN
MCLK <th>SCL</th>	SCL
SDA	PWM
GND	3.3V
5V	GND
I2	I1

DAC

Mico_USB1

ALFA

SW1
ON OFF

VIN1

DC12V

LRCLK	SCLK
DOUT	DIN
MCLK <th>SCL</th>	SCL
SDA	PWM
GND	3.3V
5V	GND
I2	I1

DAC

Mico_USB1

ALFA

SW1
ON OFF

VIN1

DC12V

LRCLK	SCLK
DOUT	DIN
MCLK <th>SCL</th>	SCL
SDA	PWM
GND	3.3V
5V	GND
I2	I1

DAC

Mico_USB1

ALFA

SW1
ON OFF

VIN1

DC12V

LRCLK	SCLK
DOUT	DIN
MCLK <th>SCL</th>	SCL
SDA	PWM
GND	3.3V
5V	GND
I2	I1

DAC

Mico_USB1

ALFA

SW1
ON OFF

VIN1

DC12V

LRCLK	SCLK
DOUT	DIN
MCLK <th>SCL</th>	SCL
SDA	PWM
GND	3.3V
5V	GND
I2	I1

DAC

Mico_USB1

ALFA

SW1
ON OFF

VIN1

DC12V

LRCLK	SCLK
DOUT	DIN
MCLK <th>SCL</th>	SCL
SDA	PWM
GND	3.3V
5V	GND
I2	I1

DAC

Mico_USB1

ALFA

SW1
ON OFF

VIN1

DC12V

LRCLK	SCLK
DOUT	DIN
MCLK <th>SCL</th>	SCL
SDA	PWM
GND	3.3V
5V	GND
I2	I1

DAC

Mico_USB1

ALFA

SW1
ON OFF

VIN1

DC12V

LRCLK	SCLK
DOUT	DIN
MCLK <th>SCL</th>	SCL
SDA	PWM
GND	3.3V
5V	GND
I2	I1

DAC

Mico_USB1

ALFA

SW1
ON OFF

VIN1

DC12V

LRCLK	S
-------	---