

A

A

B

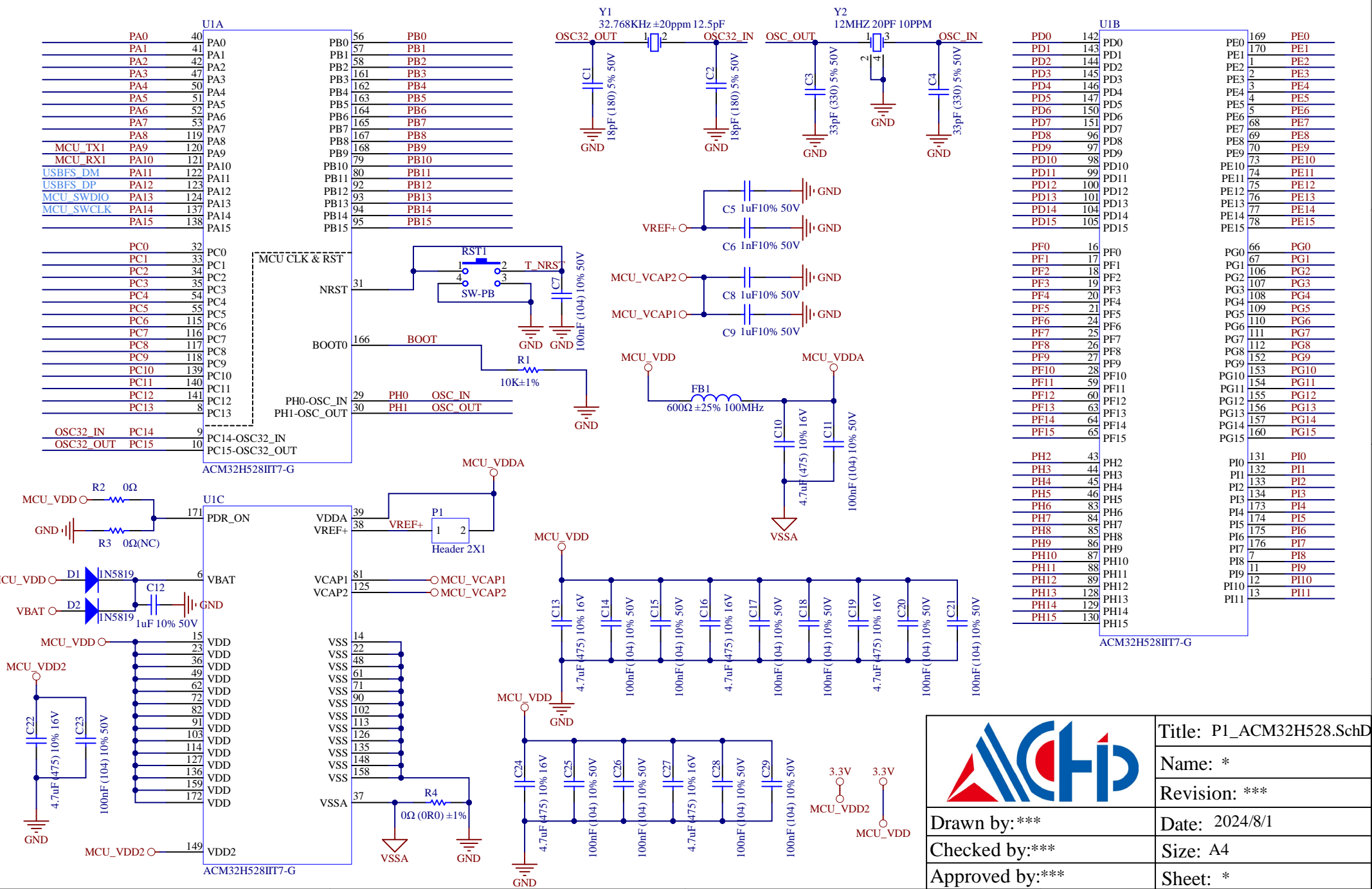
B


C

C

D

D

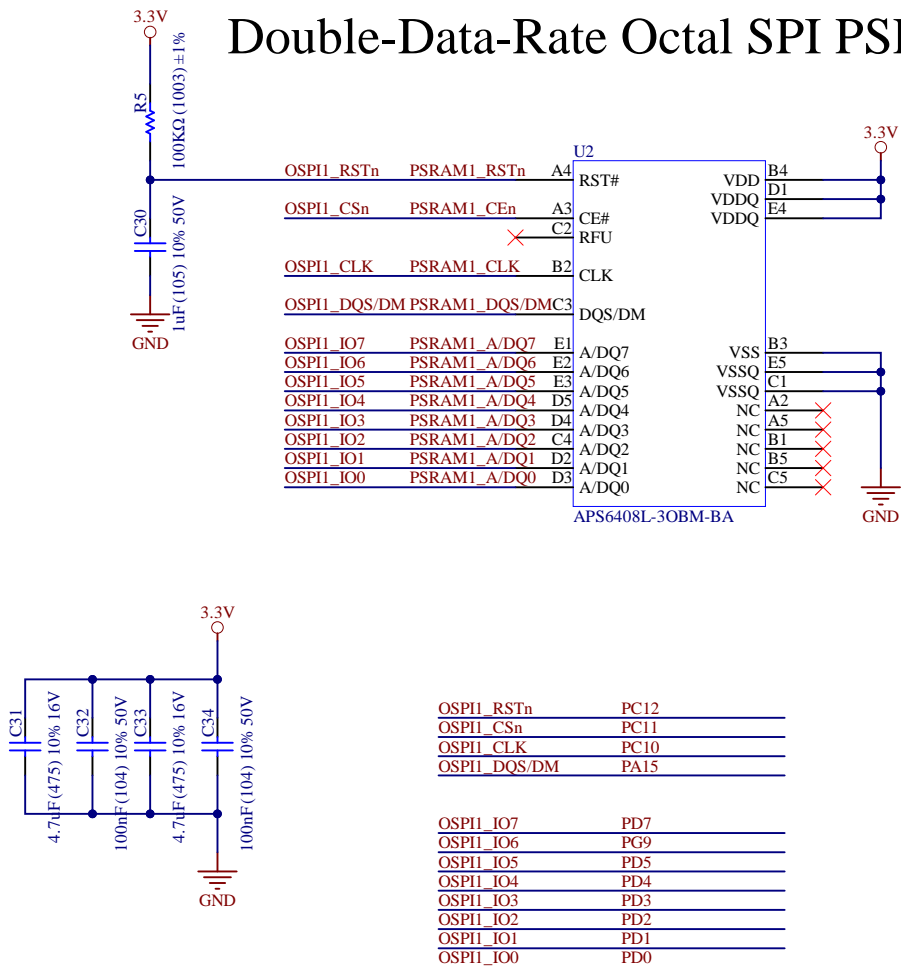



	Title: P1_ACM32H528.SchDoc
	Name: *
Drawn by: ***	Revision: ***
Checked by: ***	Date: 2024/8/1
Approved by: ***	Size: A4
	Sheet: *

# PSRAM

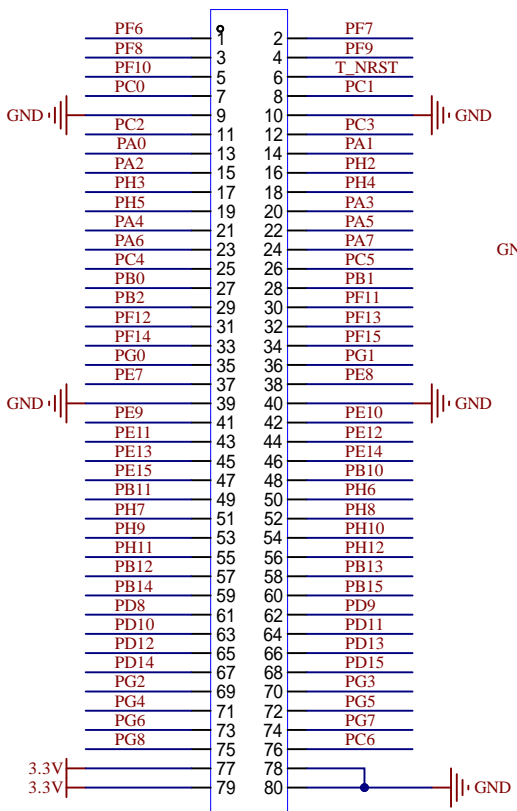
## APS6408L-OBMx DDR OPI Xccela PSRAM

### Double-Data-Rate Octal SPI PSRAM

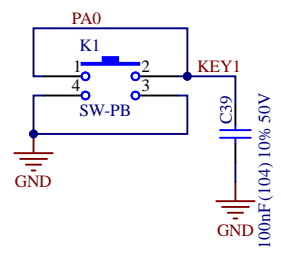
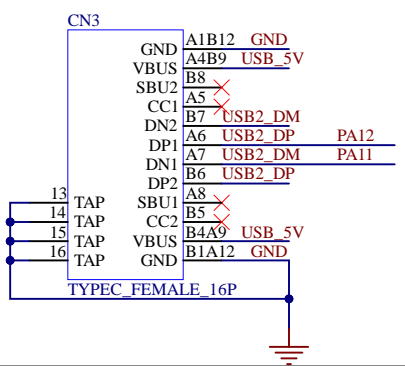
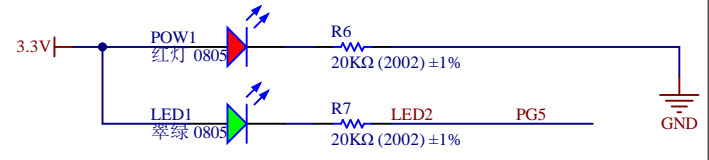
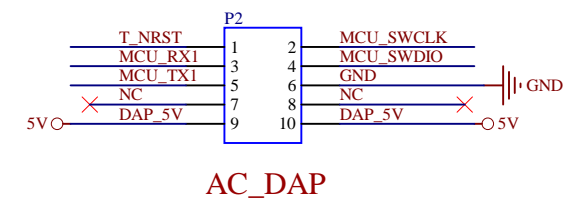
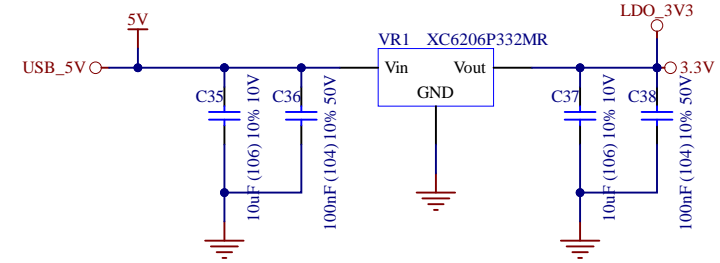
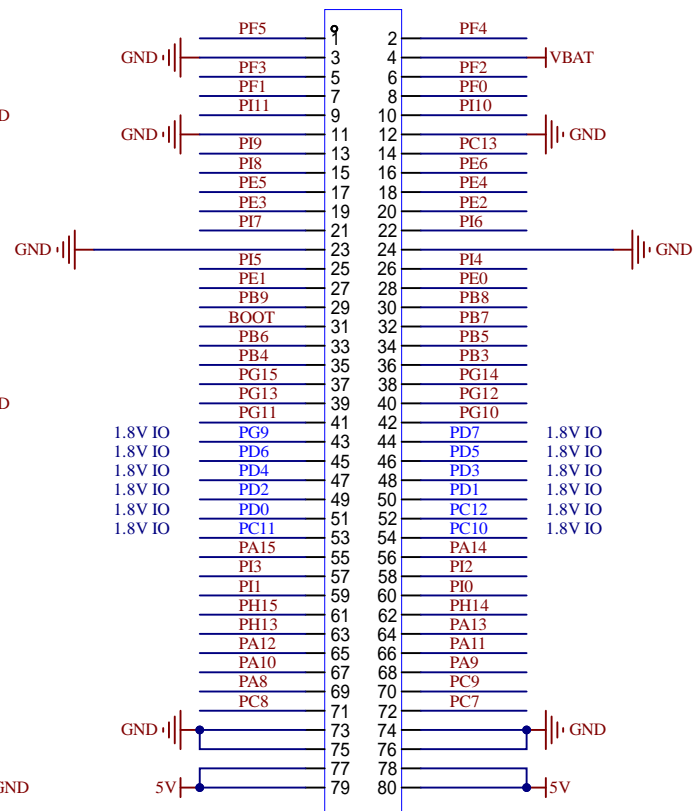


	Title: ***
	Name: *
Drawn by:***	Revision: ***
Checked by:***	Date: 2024/8/1
Approved by:***	Size: A4
	Sheet: *

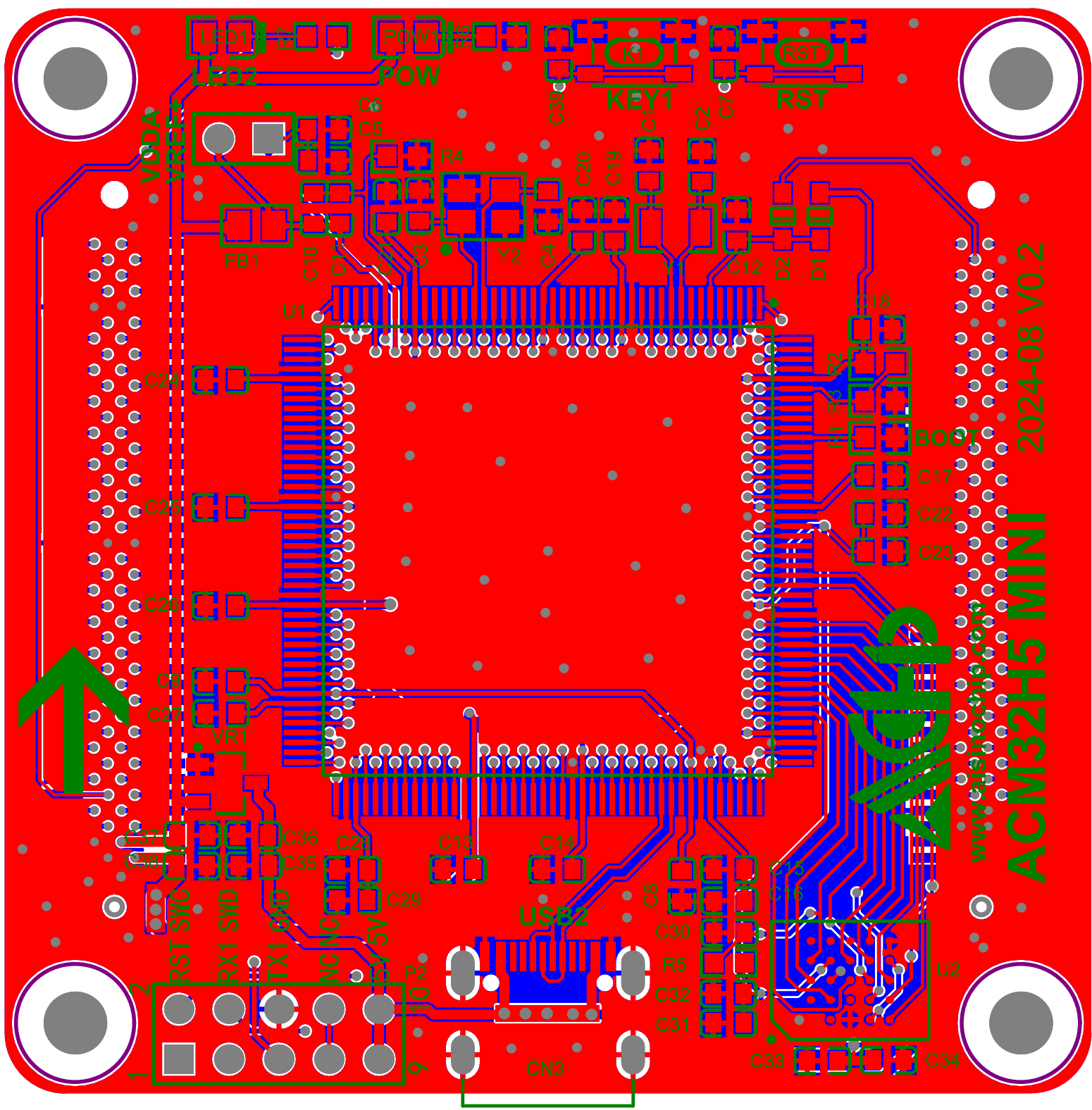
### GPIO



### GPIO



	Title: ***
	Name: *
Drawn by: ***	Revision: ***
Checked by: ***	Date: 2024/8/1
Approved by: ***	Size: A4
	Sheet: *



2024-08 V0.2

ACM32H5 MINI

www.easirobotics.com

